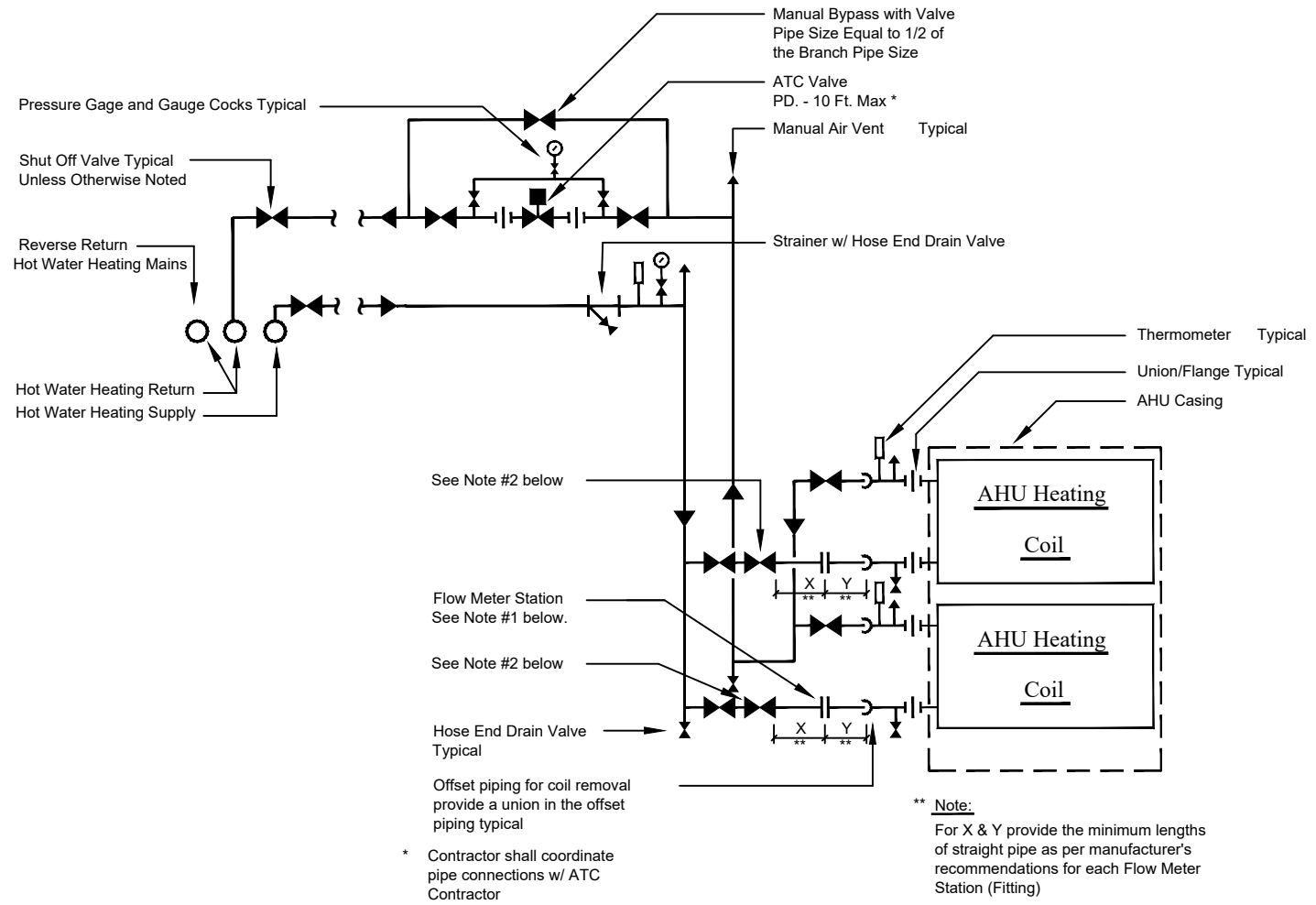


Typical Heating Coil - 2 Way Control Valve

No Scale

Notes :

1. When using Flanged, Welded or Grooved Pipe provide a Flow Meter Station without a Balancing Valve as specified.
2. Use Valve as a Balancing Valve with a Memory Stop.
3. See Valve and Fitting Installation Detail for Additional Requirements
4. When the Strainer Elevation is lower than the Coil the Hose End Drain Valve at the coil can be deleted.

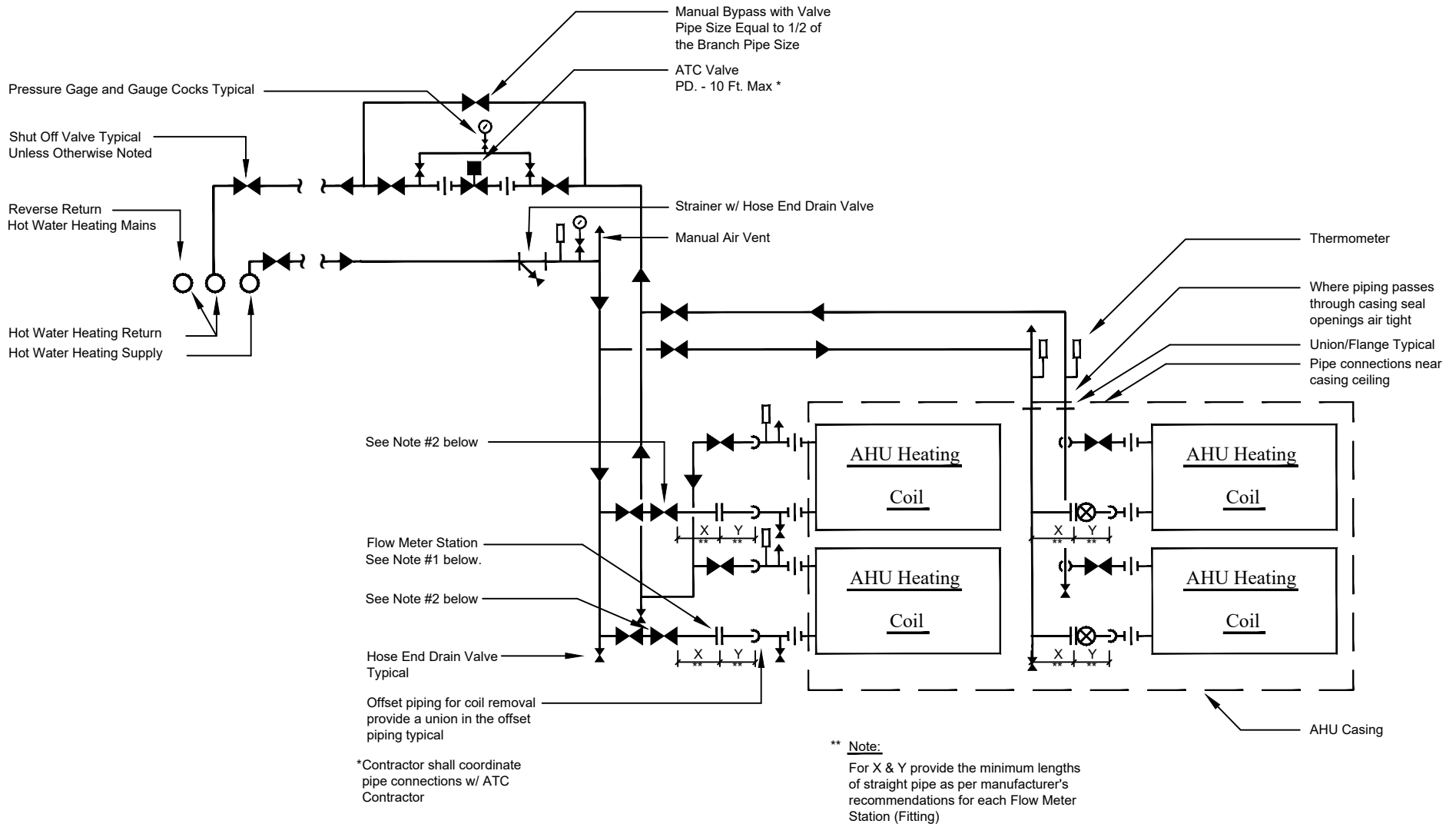


Typical Heating Coil - 2 Way Control Valve

No Scale

Notes :

1. When using Flanged, Welded or Grooved Pipe provide a Flow Meter Station without a Balancing Valve as specified.
2. Use Valve as a Balancing Valve with a Memory Stop.
3. See Valve and Fitting Installation Detail for Additional Requirements
4. When the Strainer Elevation is lower than the Coil the Hose End Drain Valve at the coil can be deleted.

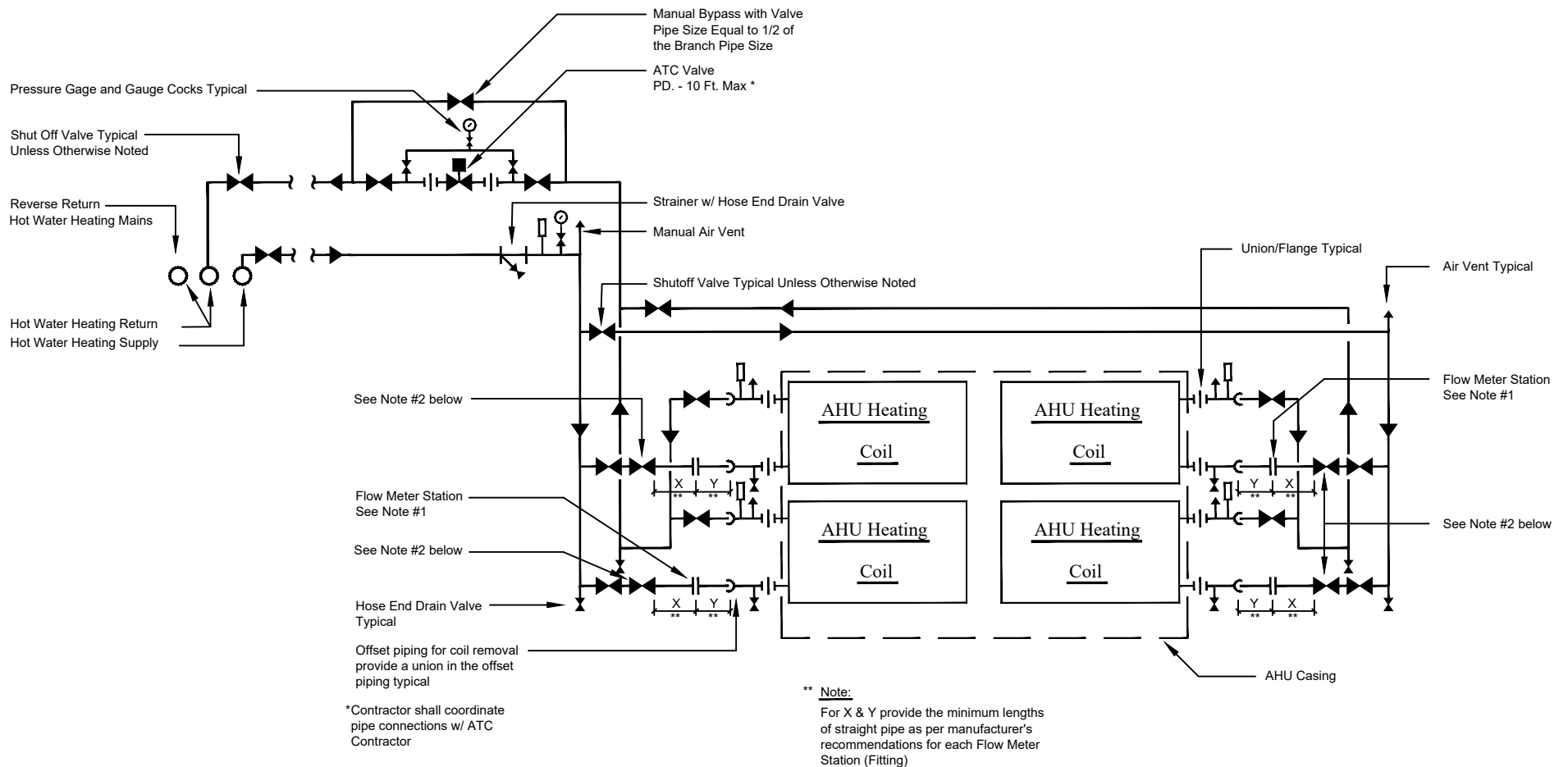


Typical Heating Coil - 2 Way Control Valve

No Scale

Notes :

1. When using Flanged, Welded or Grooved Pipe provide a Flow Meter Station without a Balancing Valve as specified.
2. Use Valve as a Balancing Valve with a Memory Stop.
3. See Valve and Fitting Installation Detail for Additional Requirements
4. When the Strainer Elevation is lower than the Coil the Hose End Drain Valve at the coil can be deleted.

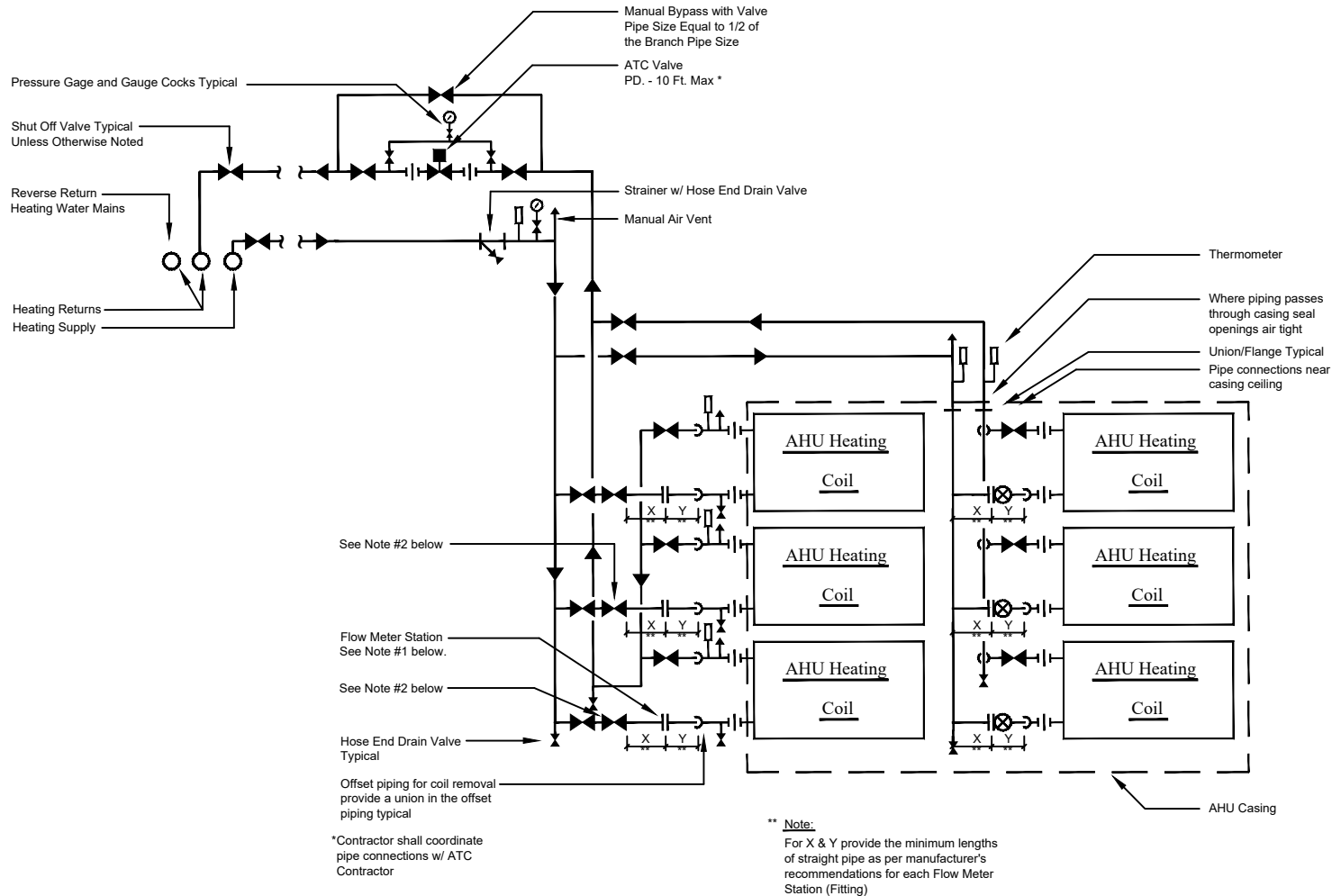


Typical Heating Coil - 2 Way Control Valve

No Scale

Notes :

1. When using Flanged, Welded or Grooved Pipe provide a Flow Meter Station without a Balancing Valve as specified.
2. Use Valve as a Balancing Valve with a Memory Stop.
3. See Valve and Fitting Installation Detail for Additional Requirements
4. When the Strainer Elevation is lower than the Coil the Hose End Drain Valve at the coil can be deleted.

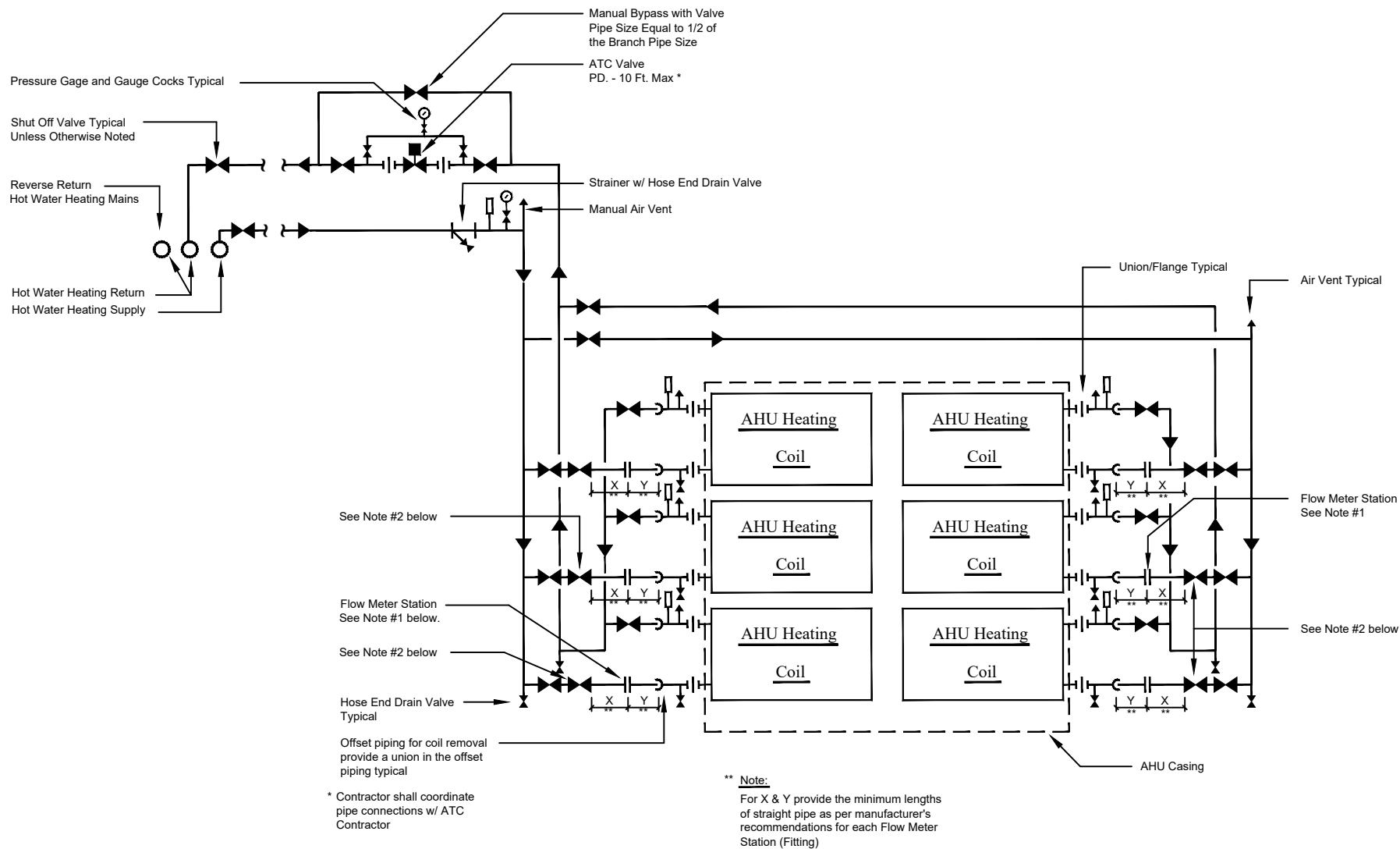


Typical Heating Coil - 2 Way Control Valve

No Scale

Notes :

1. When using Flanged, Welded or Grooved Pipe provide a Flow Meter Station without a Balancing Valve as specified.
2. Use Valve as a Balancing Valve with a Memory Stop.
3. See Valve and Fitting Installation Detail for Additional Requirements
4. When the Strainer Elevation is lower than the Coil the Hose End Drain Valve at the coil can be deleted.

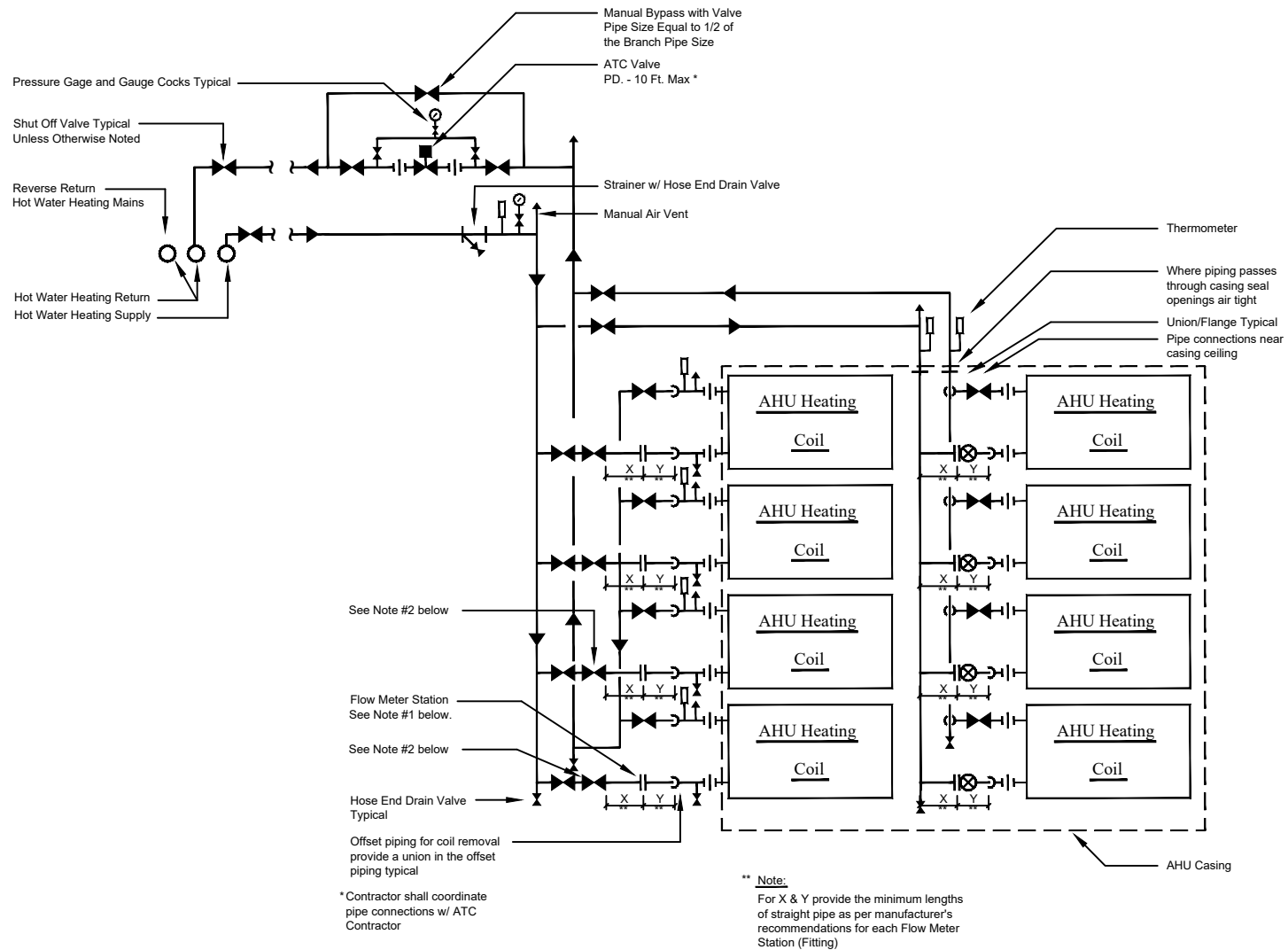


Typical Heating Coil - 2 Way Control Valve

No Scale

Notes :

1. When using Flanged, Welded or Grooved Pipe provide a Flow Meter Station without a Balancing Valve as specified.
2. Use Valve as a Balancing Valve with a Memory Stop.
3. See Valve and Fitting Installation Detail for Additional Requirements
4. When the Strainer Elevation is lower than the Coil the Hose End Drain Valve at the coil can be deleted.

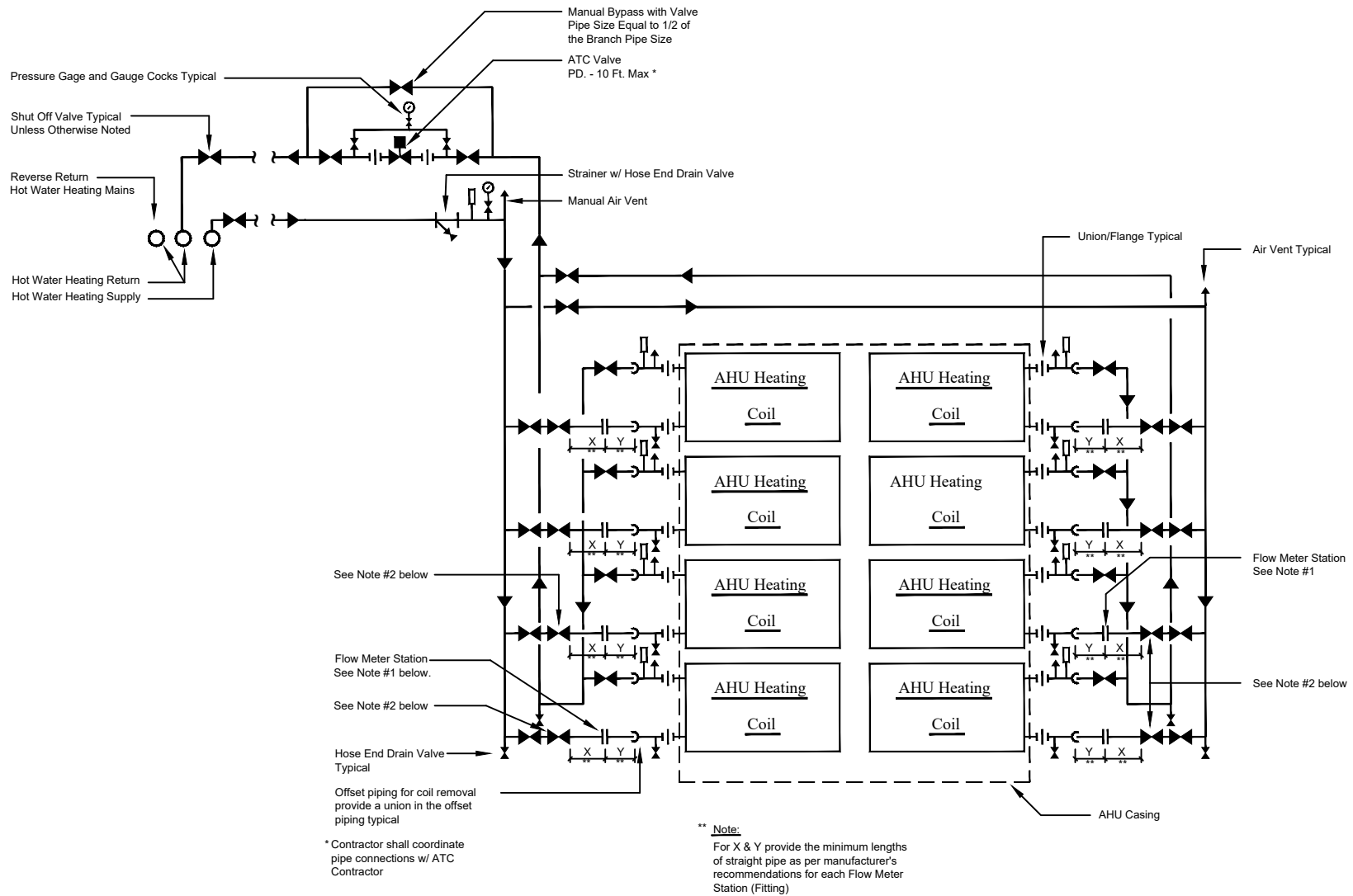


Typical Heating Coil - 2 Way Control Valve

No Scale

Notes :

1. When using Flanged, Welded or Grooved Pipe provide a Flow Meter Station without a Balancing Valve as specified.
2. Use Valve as a Balancing Valve with a Memory Stop.
3. See Valve and Fitting Installation Detail for Additional Requirements
4. When the Strainer Elevation is lower than the Coil the Hose End Drain Valve at the coil can be deleted.



* Contractor shall coordinate pipe connections w/ ATC Contractor

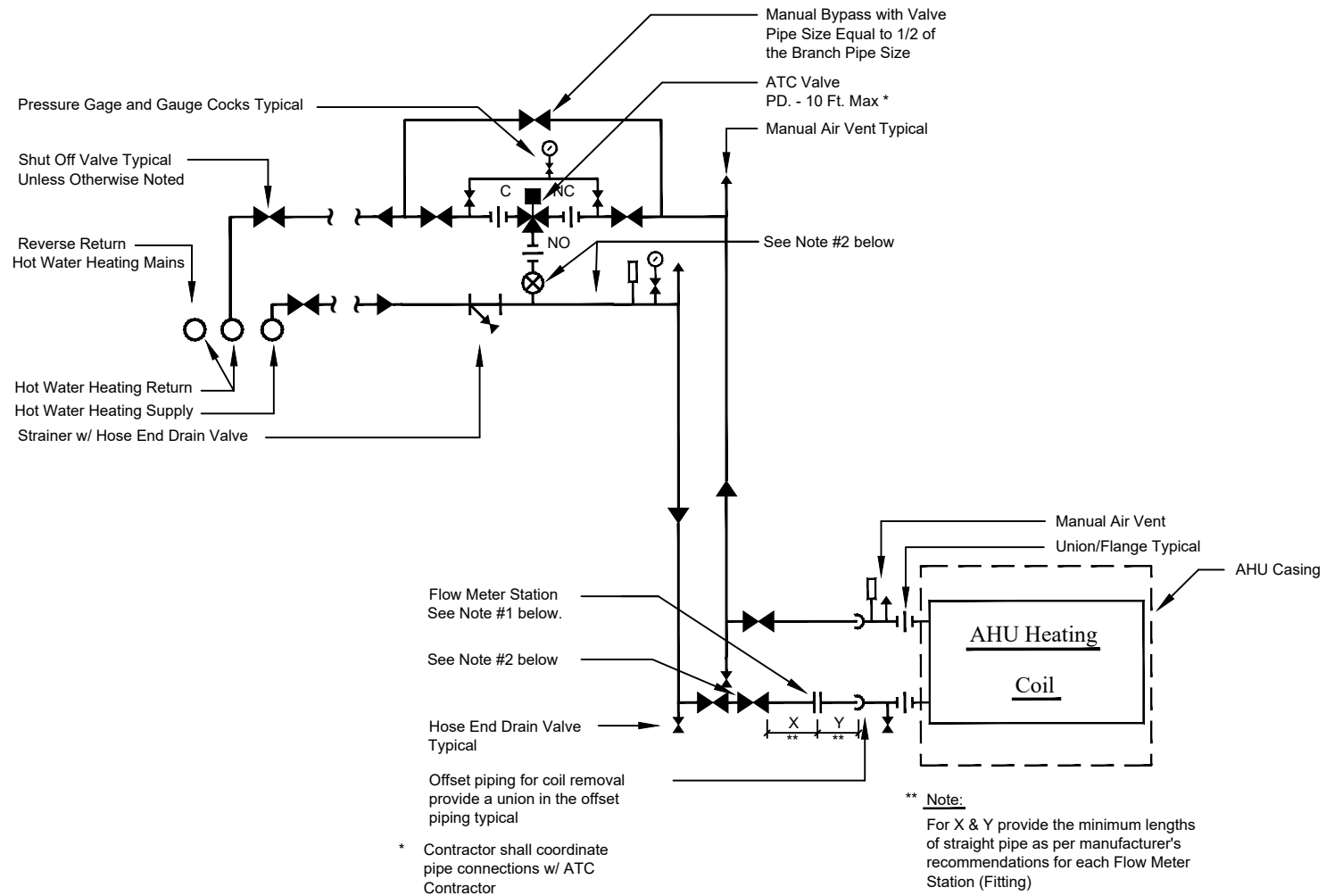
** Note:
For X & Y provide the minimum lengths of straight pipe as per manufacturer's recommendations for each Flow Meter Station (Fitting)

Typical Heating Coil - 2 Way Control Valve

No Scale

Notes :

1. When using Flanged, Welded or Grooved Pipe provide a Flow Meter Station without a Balancing Valve as specified.
2. Use Valve as a Balancing Valve with a Memory Stop.
3. See Valve and Fitting Installation Detail for Additional Requirements
4. When the Strainer Elevation is lower than the Coil the Hose End Drain Valve at the coil can be deleted.

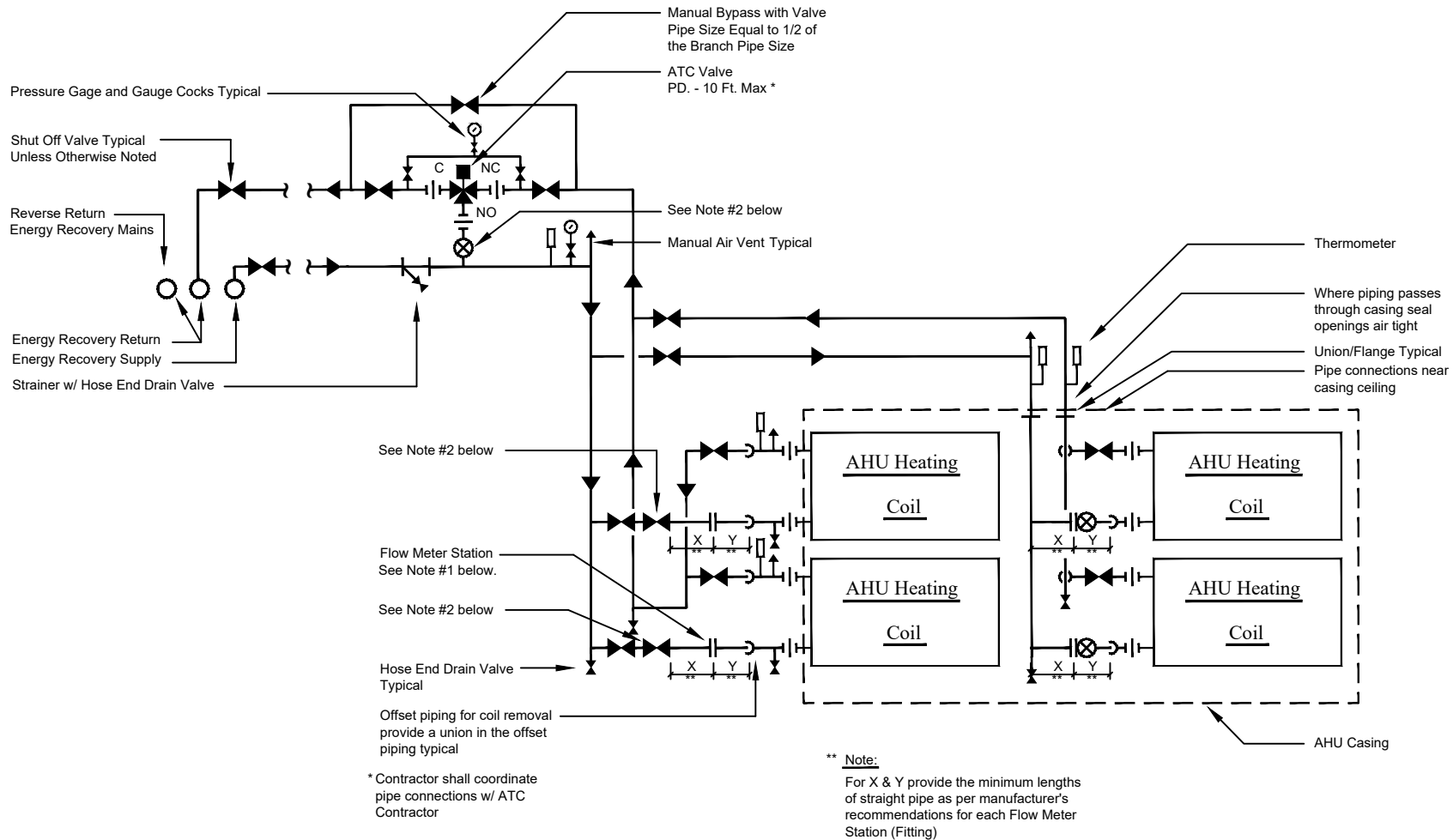


Typical Heating Coil - 3 Way Control Valve

No Scale

Notes :

1. When using Flanged, Welded or Grooved Pipe provide a Flow Meter Station without a Balancing Valve as specified.
2. Use Valve as a Balancing Valve with a Memory Stop.
3. See Valve and Fitting Installation Detail for Additional Requirements
4. When the Strainer Elevation is lower than the Coil the Hose End Drain Valve at the coil can be deleted.

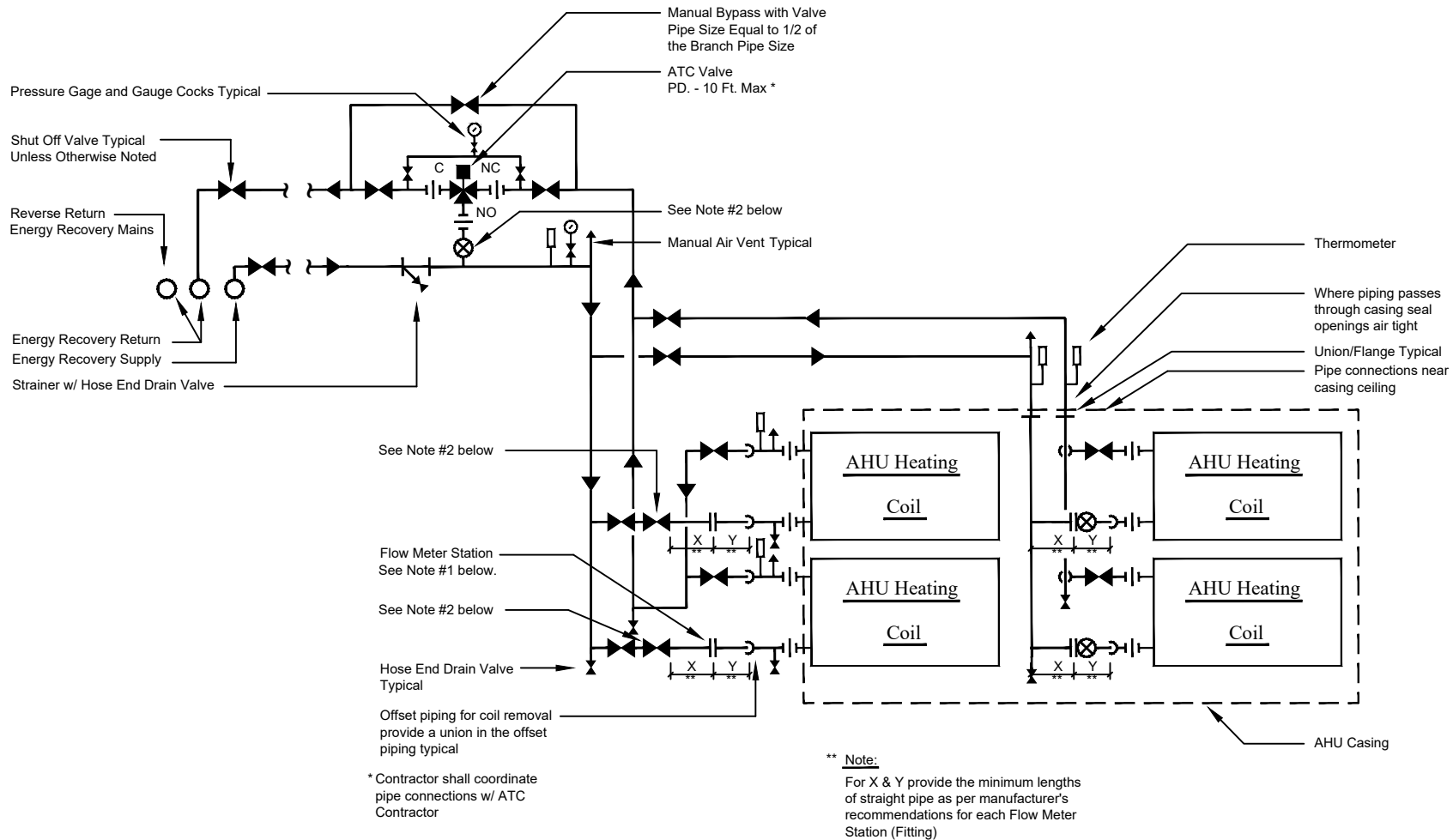


Typical Heating Coil - 3 Way Control Valve

No Scale

Notes :

1. When using Flanged, Welded or Grooved Pipe provide a Flow Meter Station without a Balancing Valve as specified.
2. Use Valve as a Balancing Valve with a Memory Stop.
3. See Valve and Fitting Installation Detail for Additional Requirements
4. When the Strainer Elevation is lower than the Coil the Hose End Drain Valve at the coil can be deleted.

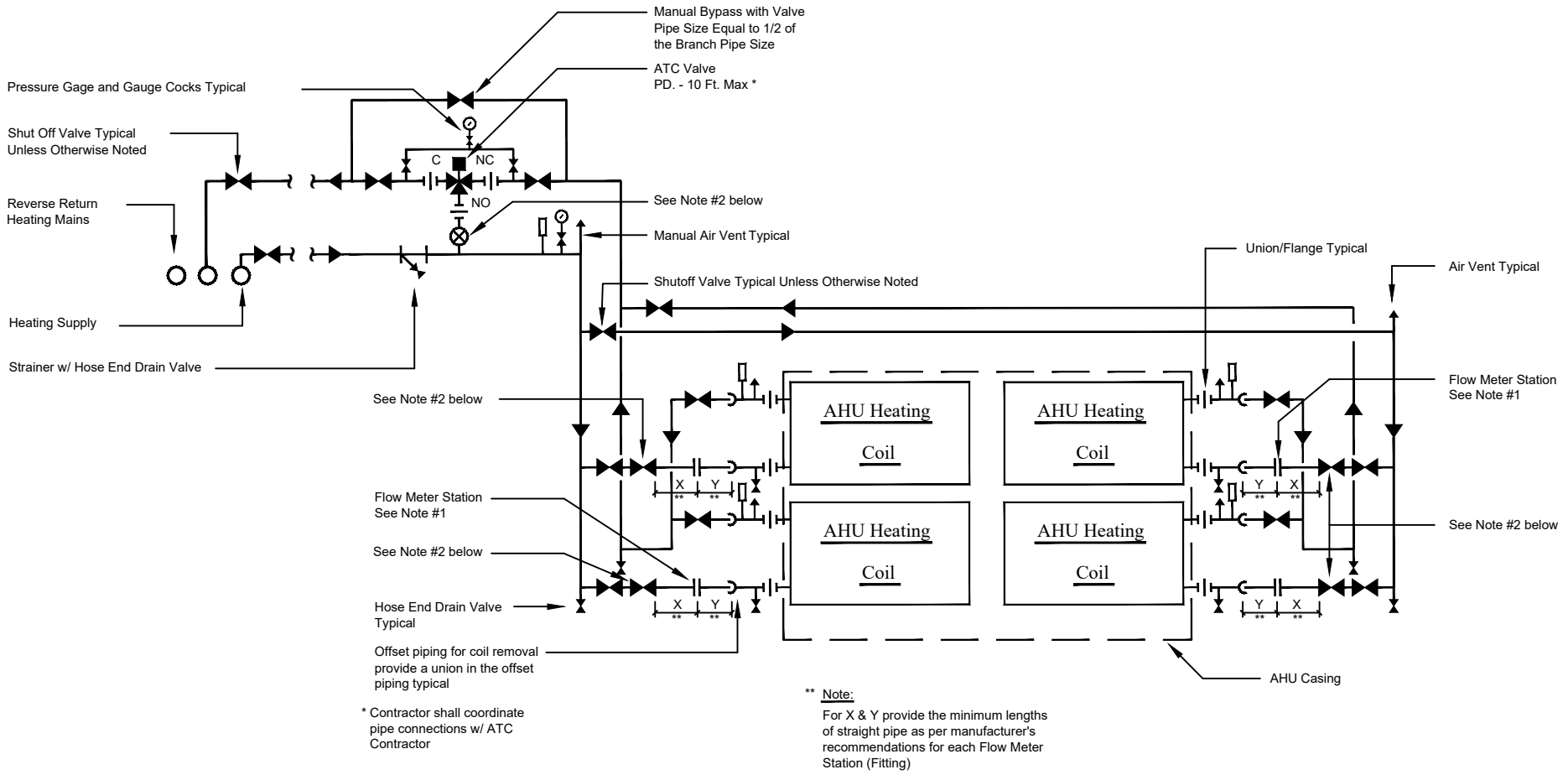


Typical Heating Coil - 3 Way Control Valve

No Scale

Notes :

1. When using Flanged, Welded or Grooved Pipe provide a Flow Meter Station without a Balancing Valve as specified.
2. Use Valve as a Balancing Valve with a Memory Stop.
3. See Valve and Fitting Installation Detail for Additional Requirements
4. When the Strainer Elevation is lower than the Coil the Hose End Drain Valve at the coil can be deleted.

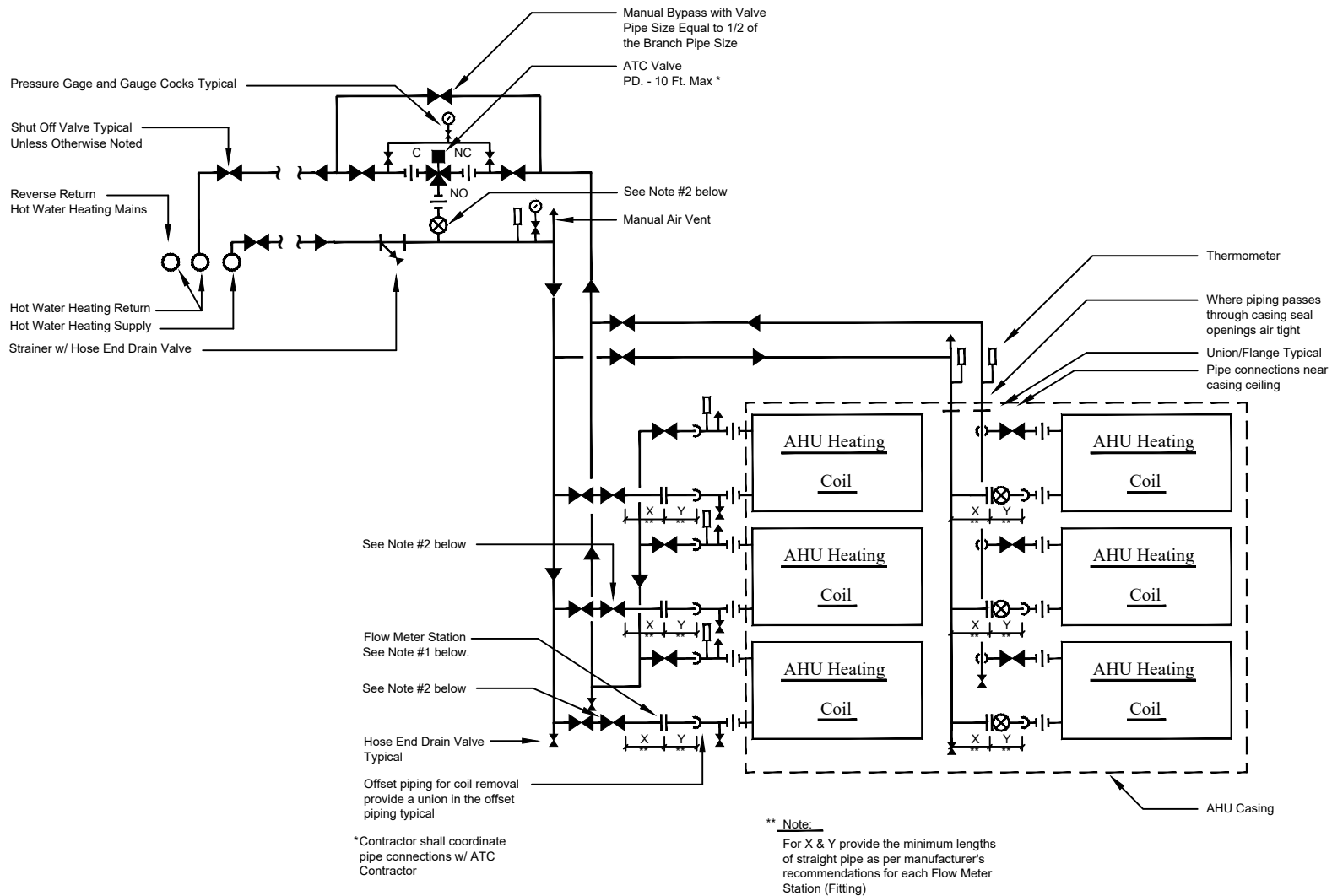


Typical Heating Coil - 3 Way Control Valve

No Scale

Notes :

1. When using Flanged, Welded or Grooved Pipe provide a Flow Meter Station without a Balancing Valve as specified.
2. Use Valve as a Balancing Valve with a Memory Stop.
3. See Valve and Fitting Installation Detail for Additional Requirements
4. When the Strainer Elevation is lower than the Coil the Hose End Drain Valve at the coil can be deleted.

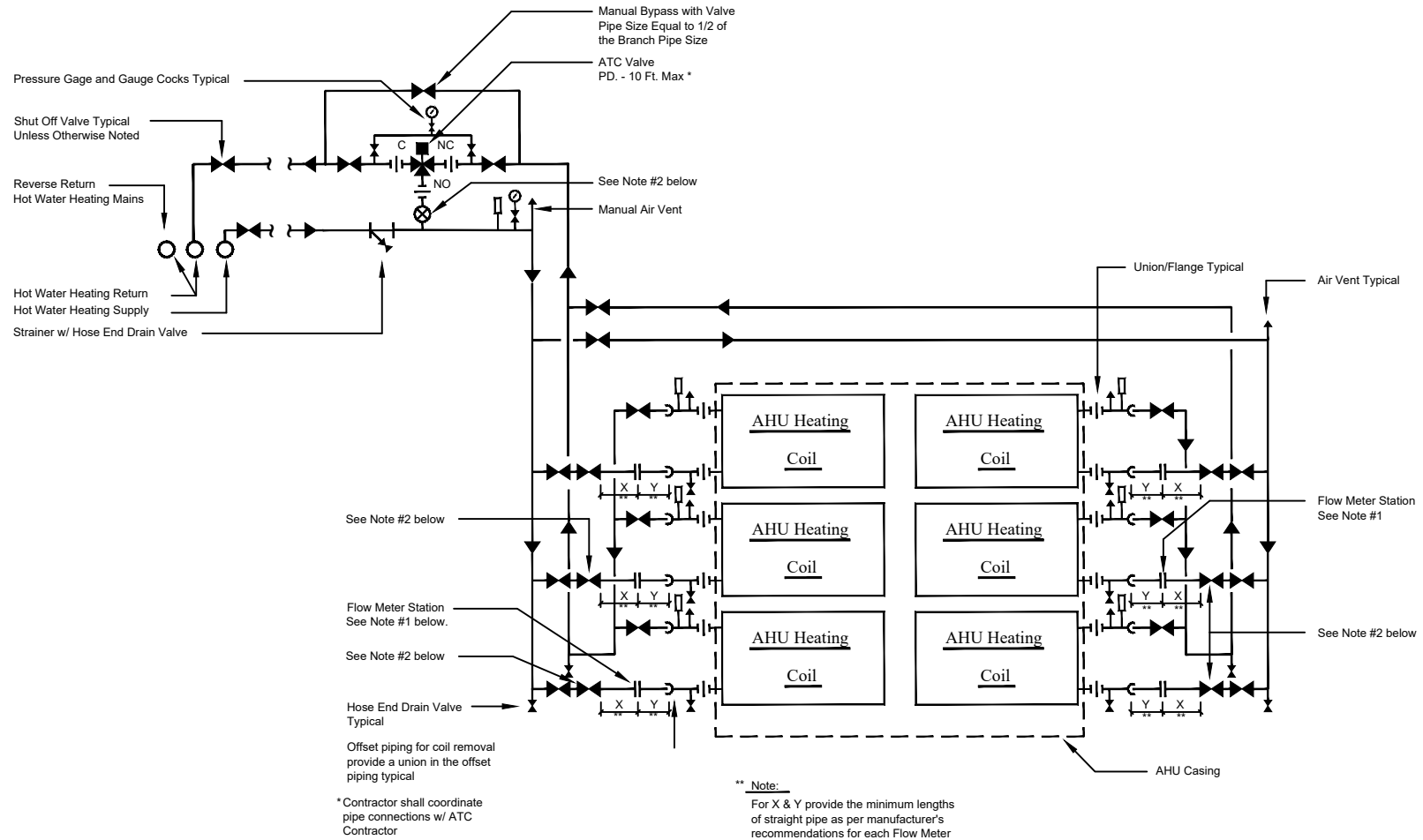


Typical Heating Coil - 3 Way Control Valve

No Scale

Notes :

1. When using Flanged, Welded or Grooved Pipe provide a Flow Meter Station without a Balancing Valve as specified.
2. Use Valve as a Balancing Valve with a Memory Stop.
3. See Valve and Fitting Installation Detail for Additional Requirements
4. When the Strainer Elevation is lower than the Coil the Hose End Drain Valve at the coil can be deleted.

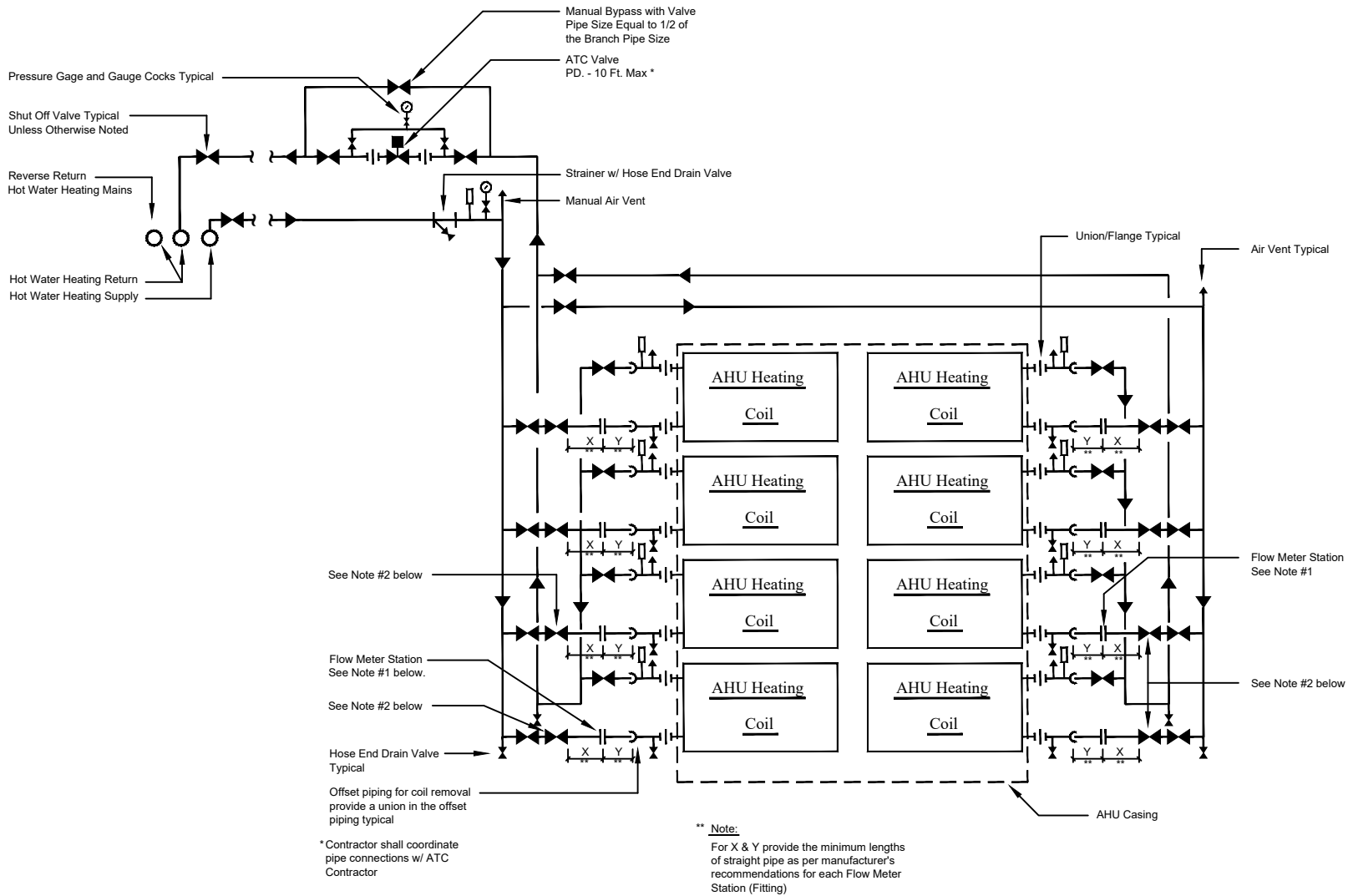


Typical Heating Coil - 3 Way Control Valve

No Scale

Notes :

1. When using Flanged, Welded or Grooved Pipe provide a Flow Meter Station without a Balancing Valve as specified.
2. Use Valve as a Balancing Valve with a Memory Stop.
3. See Valve and Fitting Installation Detail for Additional Requirements
4. When the Strainer Elevation is lower than the Coil the Hose End Drain Valve at the coil can be deleted.

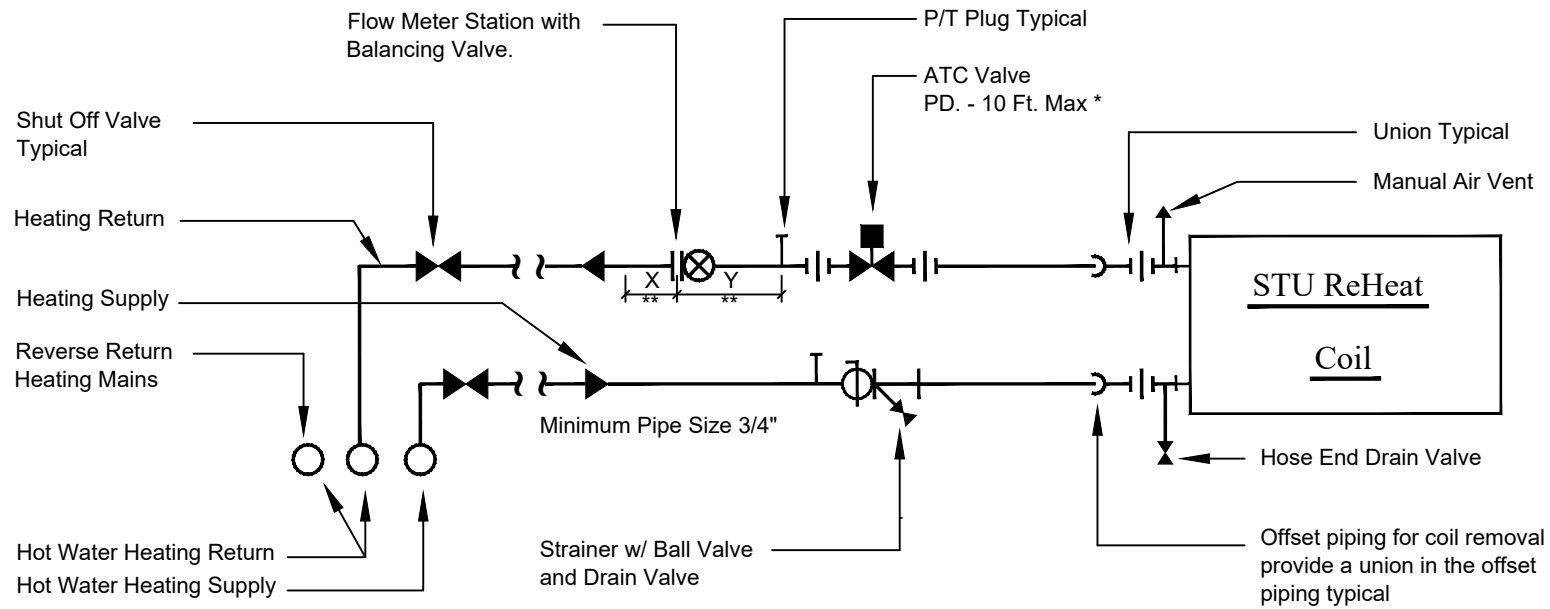


Typical Heating Coil - 3 Way Control Valve

No Scale

Notes :

1. When using Flanged, Welded or Grooved Pipe provide a Flow Meter Station without a Balancing Valve as specified.
2. Use Valve as a Balancing Valve with a Memory Stop.
3. See Valve and Fitting Installation Detail for Additional Requirements
4. When the Strainer Elevation is lower than the Coil the Hose End Drain Valve at the coil can be deleted.



*Contractor shall coordinate pipe connections w/ ATC Contractor

**** Note:**

For X & Y provide the minimum lengths of straight pipe as per manufacturer's recommendations for each Flow Meter Fitting

Typical ReHeat Coil - 2 Way Control Valve

No Scale

Notes :

1. When the Strainer Elevation is lower than the Coil the Hose End Drain Valve at the coil can be deleted.
2. See Valve and Fitting Installation Details for Additional Requirements.
3. This detail is typical for both heating and cooling coil connections where four pipe chilled beams are included in the design.