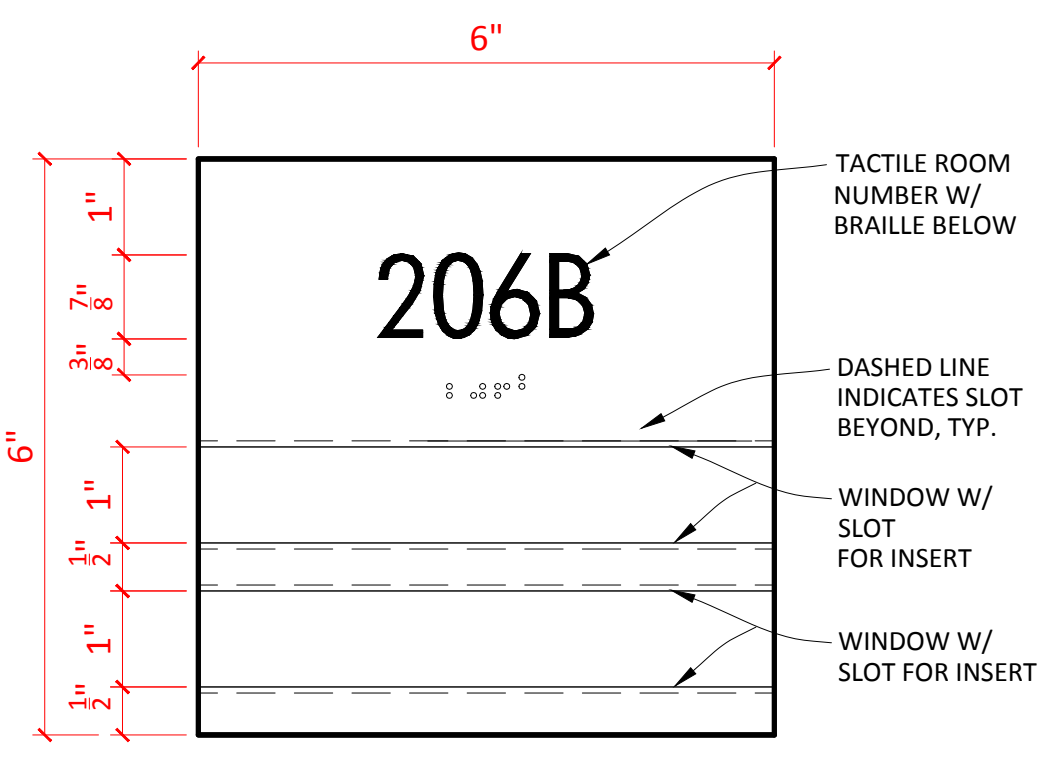
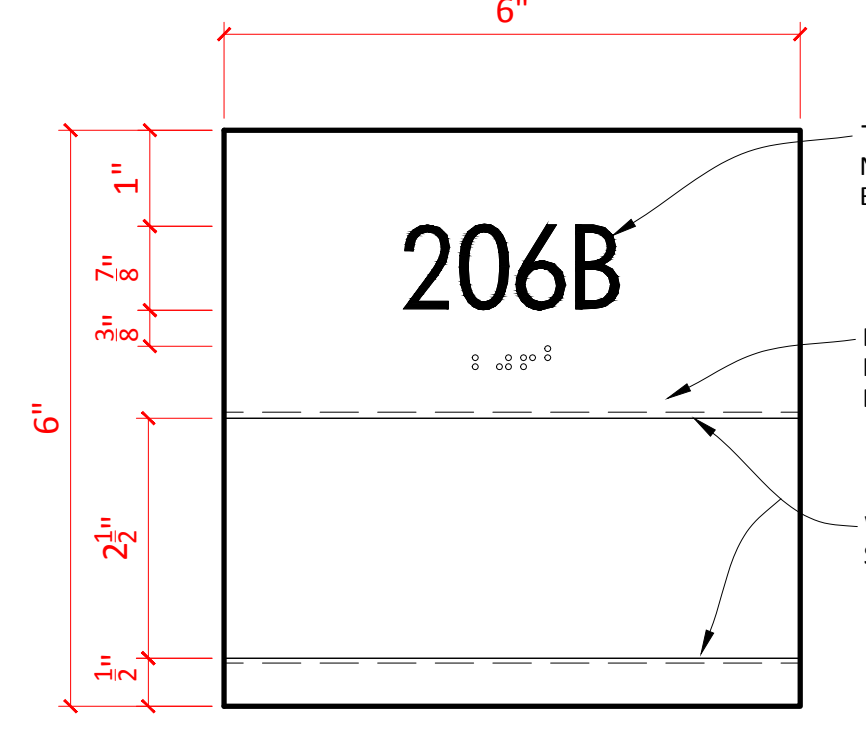


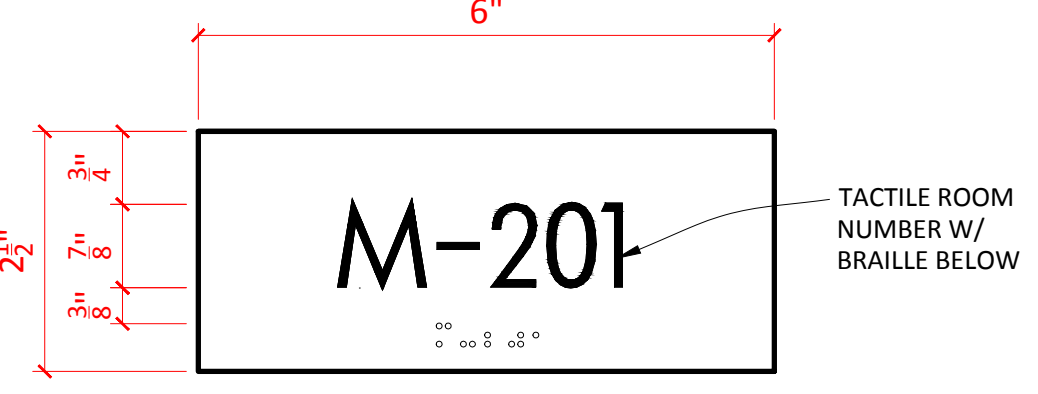
A.01 Room Number Sign-
 (Single Window for one insert)



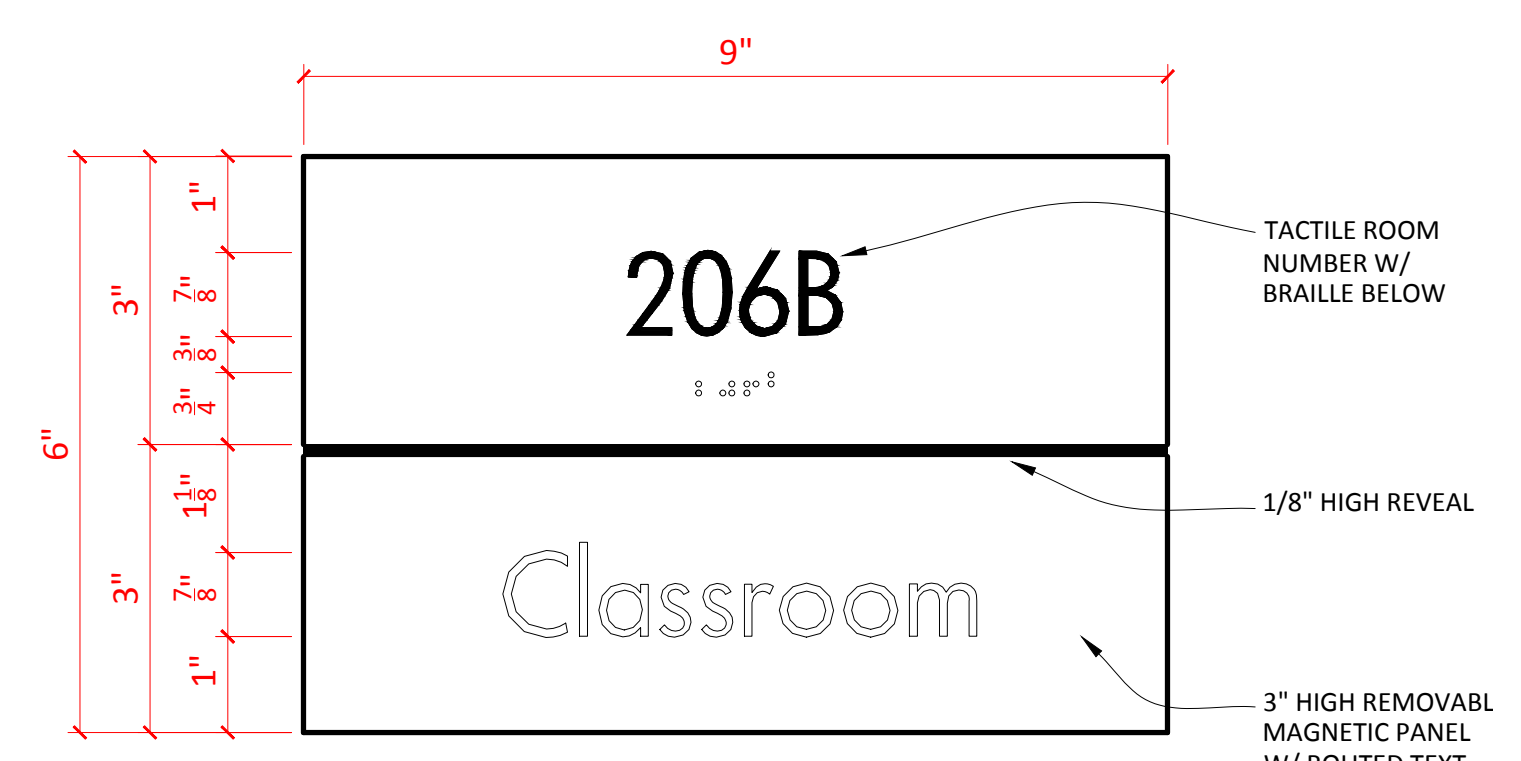
A.02 Room Number Sign- (Double
 Window for two inserts)



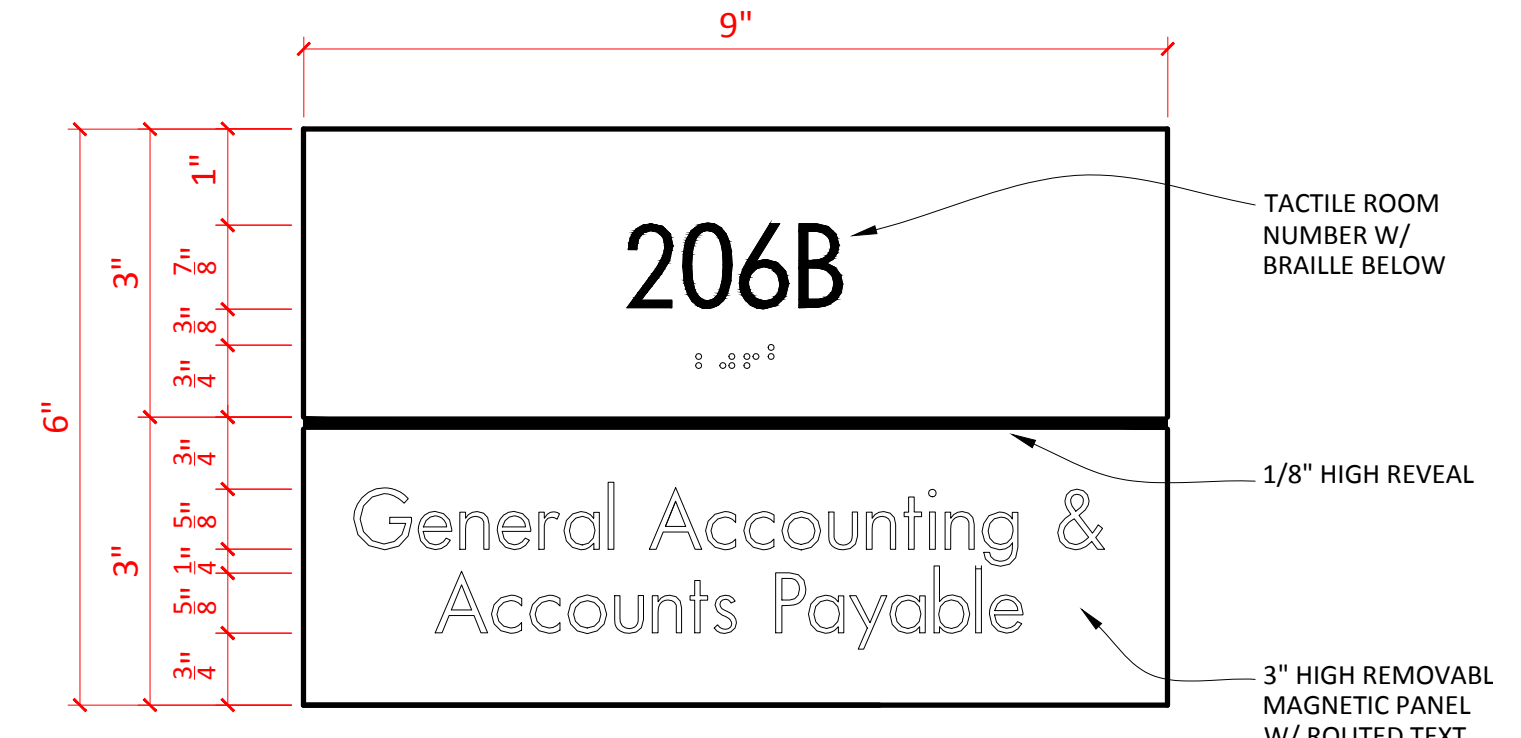
A.03 Room Number Sign-
 (Tall Window for tall insert)



A.04 Room Number Sign



A.05 Room Number Sign-
 (One Line Engraved Message)

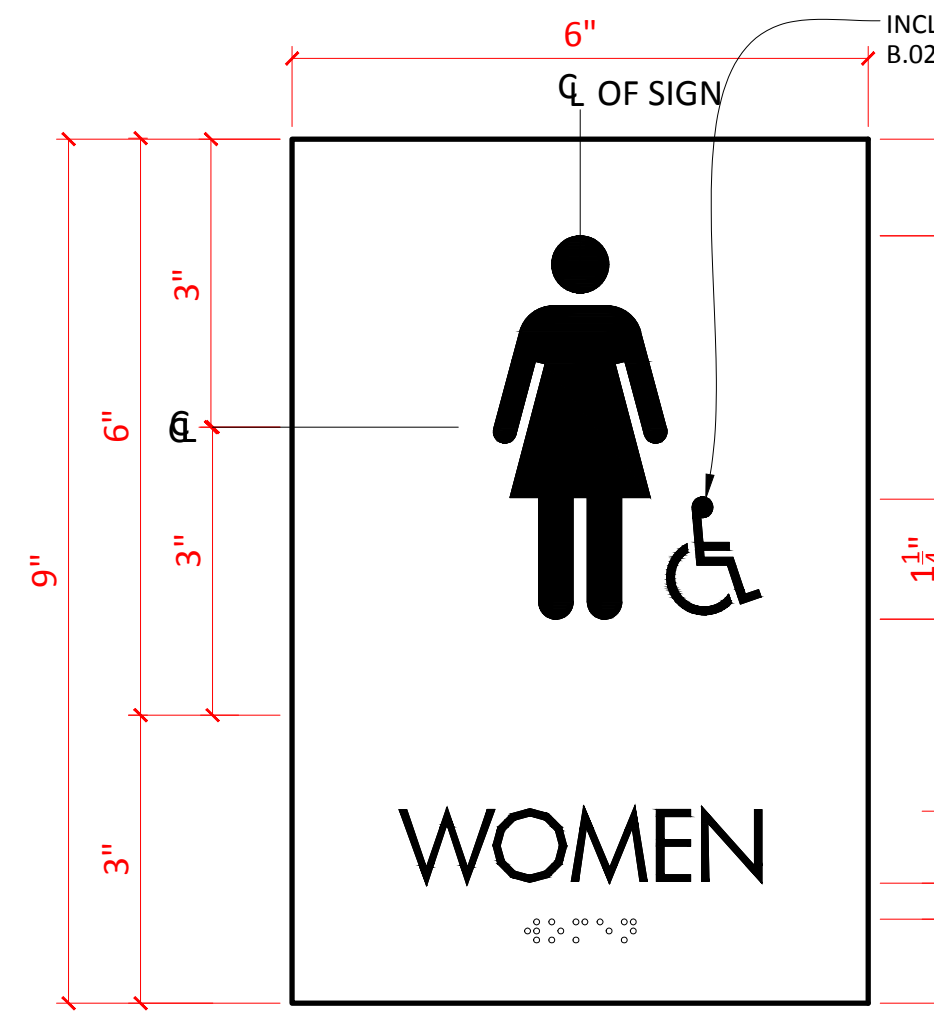


A.06 Room Number Sign
 (Two Line Engraved Message)

TYPE A: ROOM NUMBER SIGNS

NOTE: ALL ROOM NUMBERS ARE RAISED WITH BRAILLE, INFORMATION BELOW IS AS DESCRIBED.

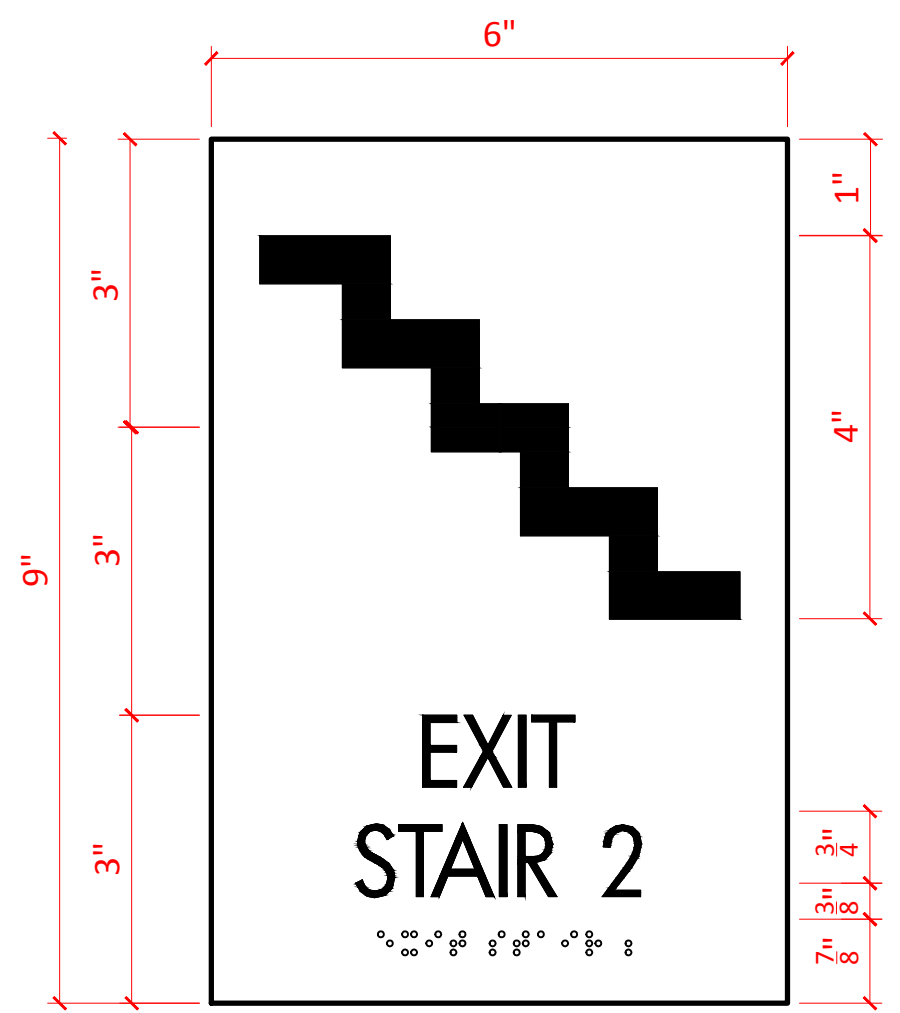
TYPE C: NAME ONLY SIGNS & INSERTS



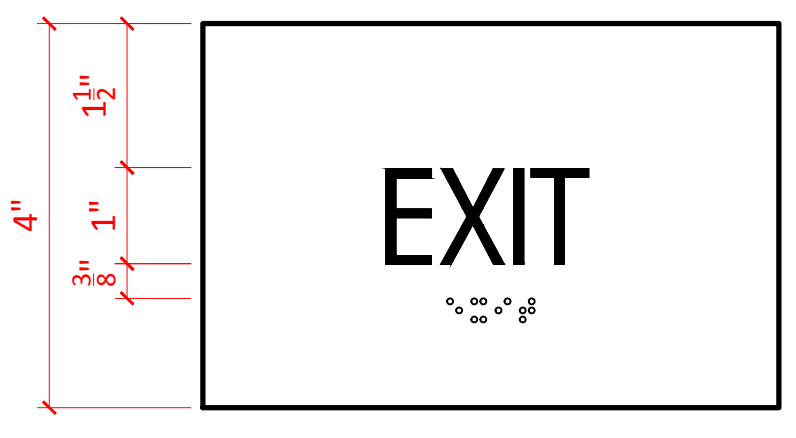
B.01 Restroom Sign
 B.02 Restroom Sign - accessible
 Tactile pictograms and one line of text,
 braille below text.



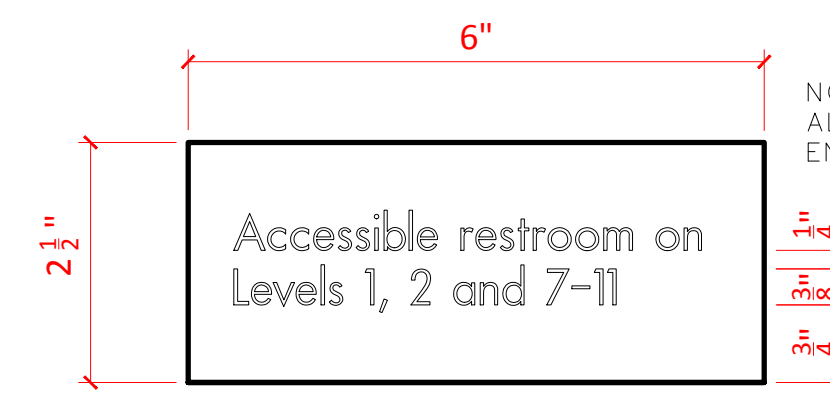
B.03 Restroom Sign
 Tactile pictograms and two lines of text,
 braille below text.



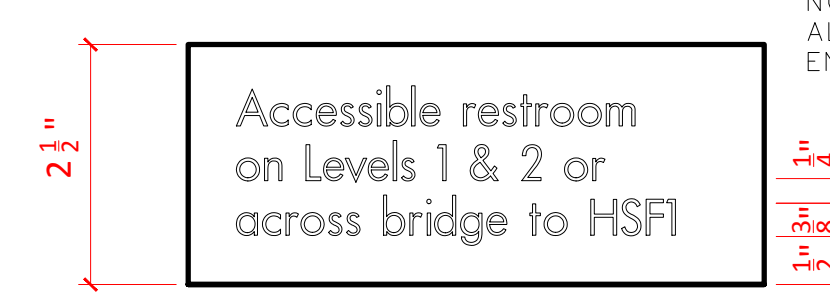
B.04 Stair Sign
 Tactile pictograms & text,
 braille below.



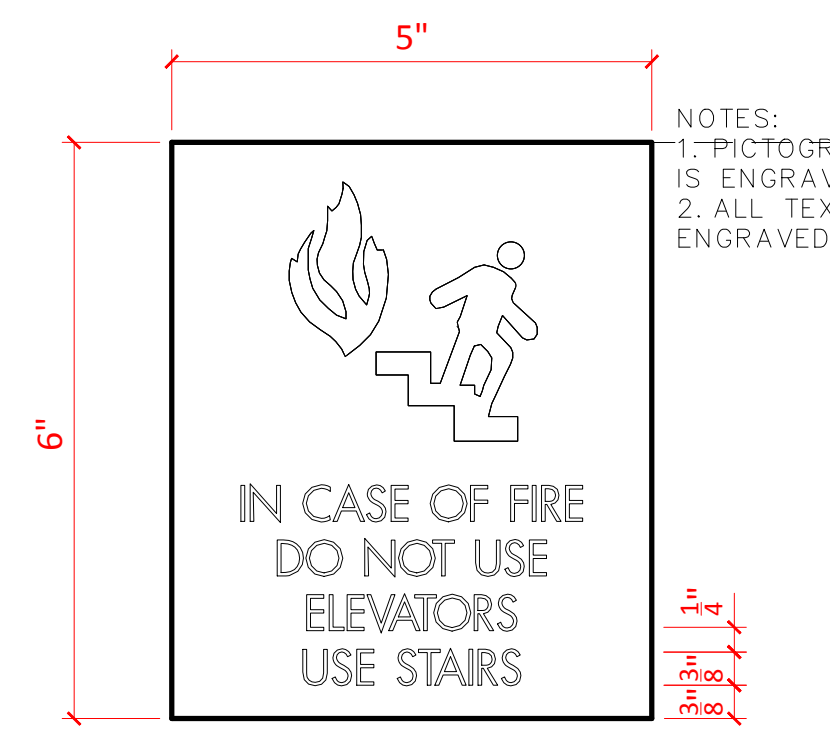
B.05 Exit Sign
 Tactile text w/ braille below



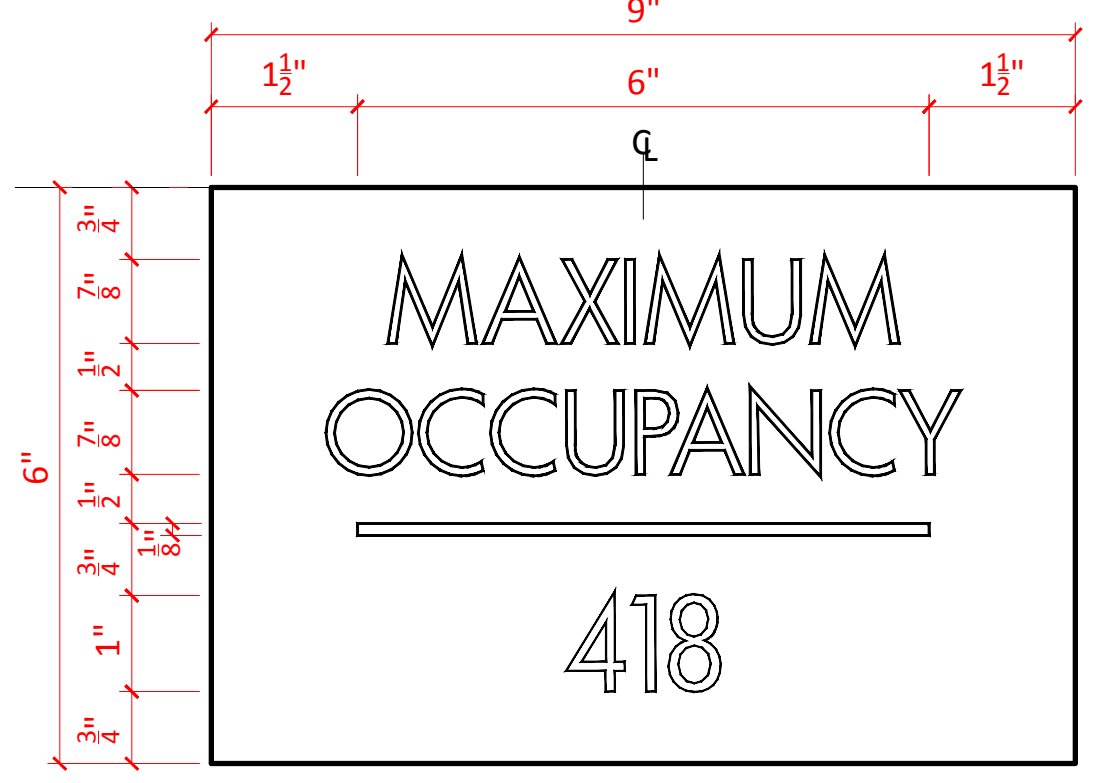
B.06 Directional Sign
 Two lines engraved text



B.07 Directional Sign
 Two lines engraved text

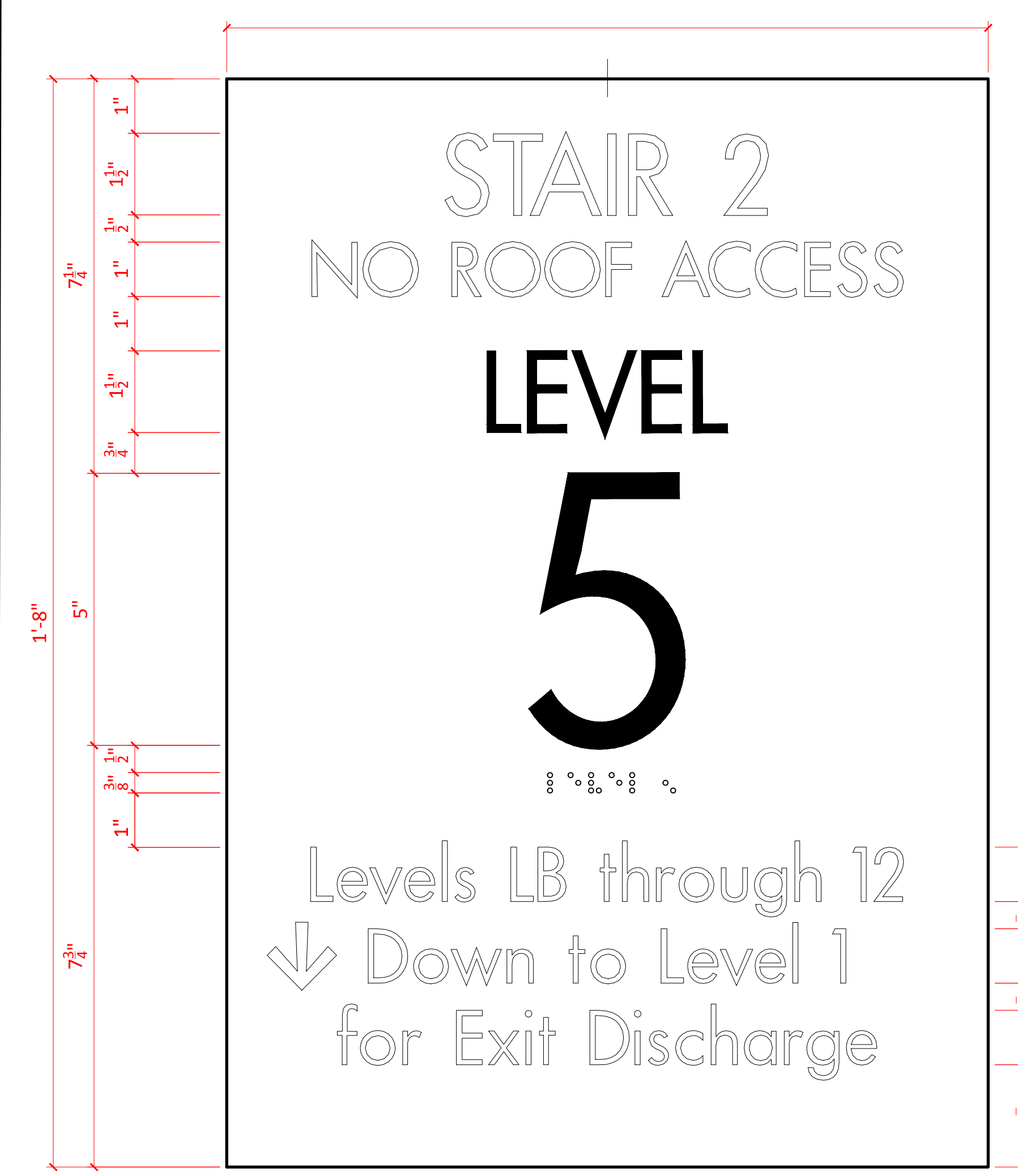


B.08 Elevator Warning Sign



B.09 Occupancy Sign

TYPE B: BUILDING CORE SIGNS



B.10 Exit Stairwell Sign
 ("LEVEL" & Floor number tactile, all other text engraved, see Sign Schedule)

TYPE B: STAIRWELL SIGN

NOTE: "LEVEL" & LARGE NUMBER RAISED W/ BRAILLE BELOW, ALL OTHER LETTERING AND SYMBOL ENGRAVED

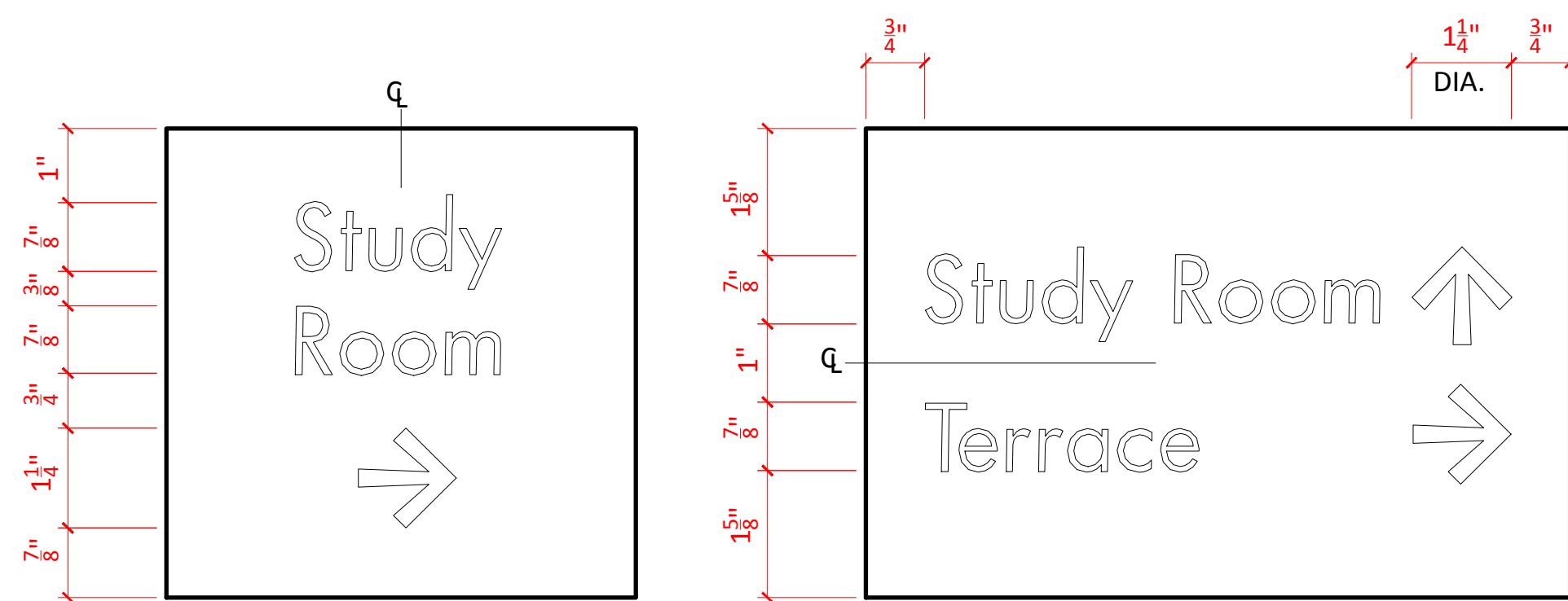
PROJECT TITLE :
UMB STANDARDS INTERIOR SIGNAGE

| | |
|--------------------|---------------|
| UMB BUILDING NO. : | 0000 |
| UMB Project NO. : | 00-000 |
| A/E PROJECT NO. : | - |
| CAD FILE NO. : | 0000-0000-000 |
| DATE : | 04-01-2019 |

DRAWING TITLE :
SIGNAGE DETAILS
 SIGNAGE DRAWINGS

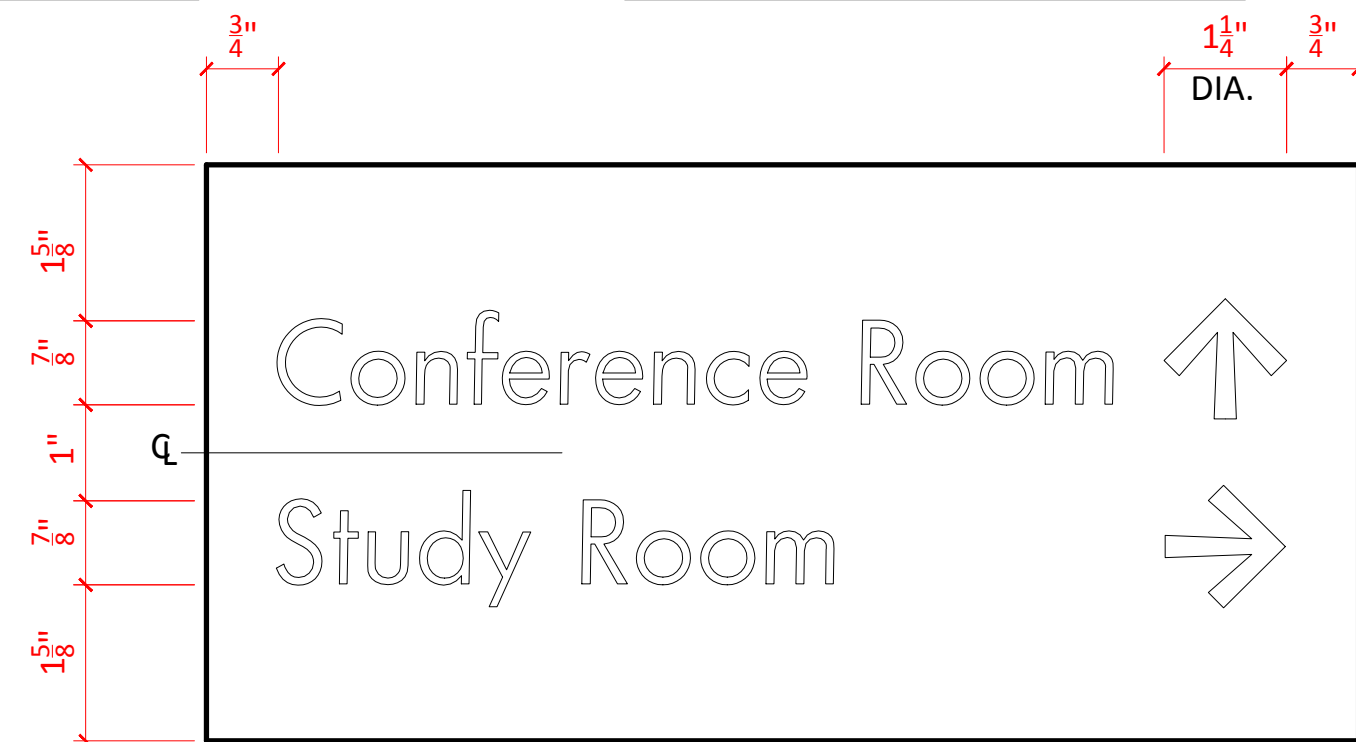
| REVISIONS | | |
|-----------|------|------|
| NO | DATE | ITEM |
| | | |
| | | |
| | | |
| | | |
| | | |

FILENAME: J:\29. DC MASTER DOCUMENTS\VAE STANDARDS AND SPECIFICATIONS\UMB SIGNAGE - CAD FILE.DWG
 LAST UPDATED ON: 8/7/2019



D.01 6" x 6" Directional Sign

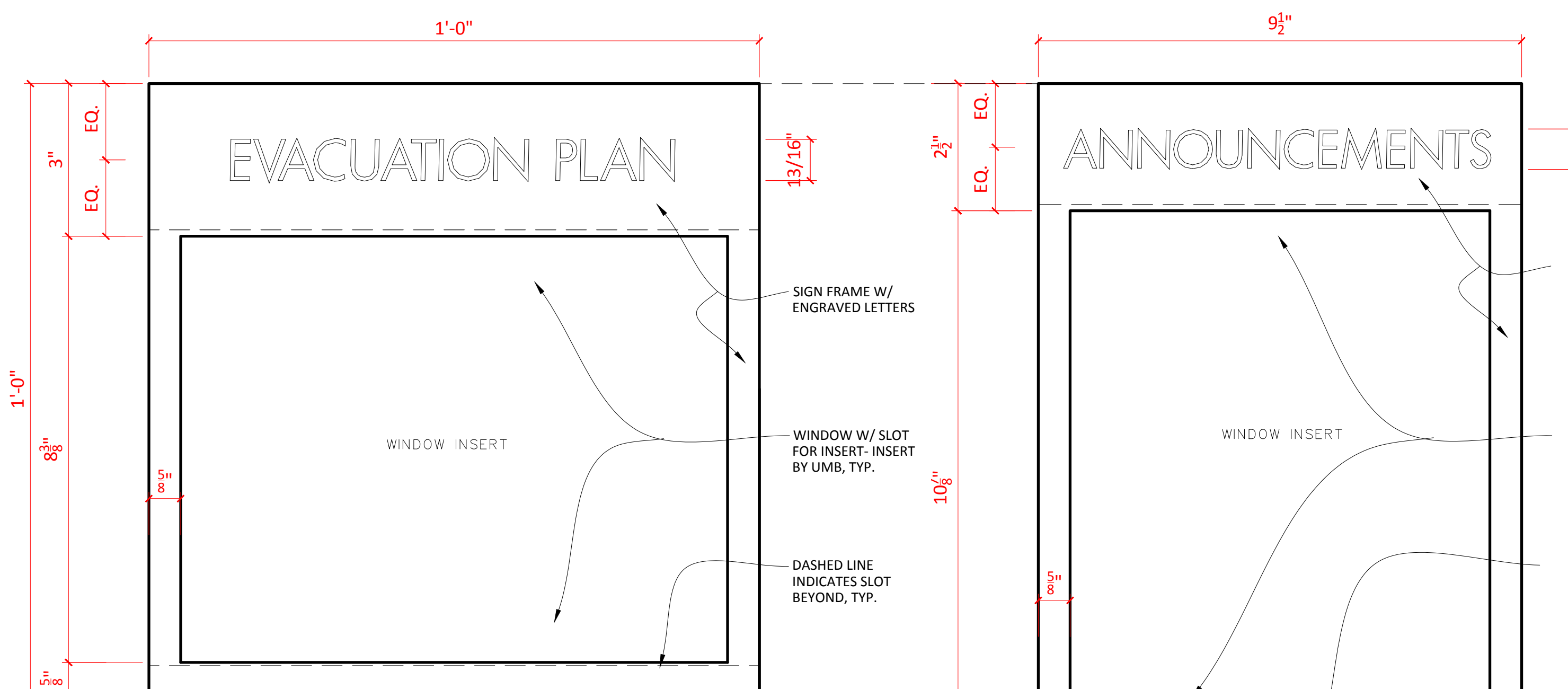
D.02 6" x 9" Directional Sign



D.03 6" x 12" Directional Sign

NOTES:
1. TEXT IS ENGRAVED.
2. ARROWS ARE ENGRAVED.

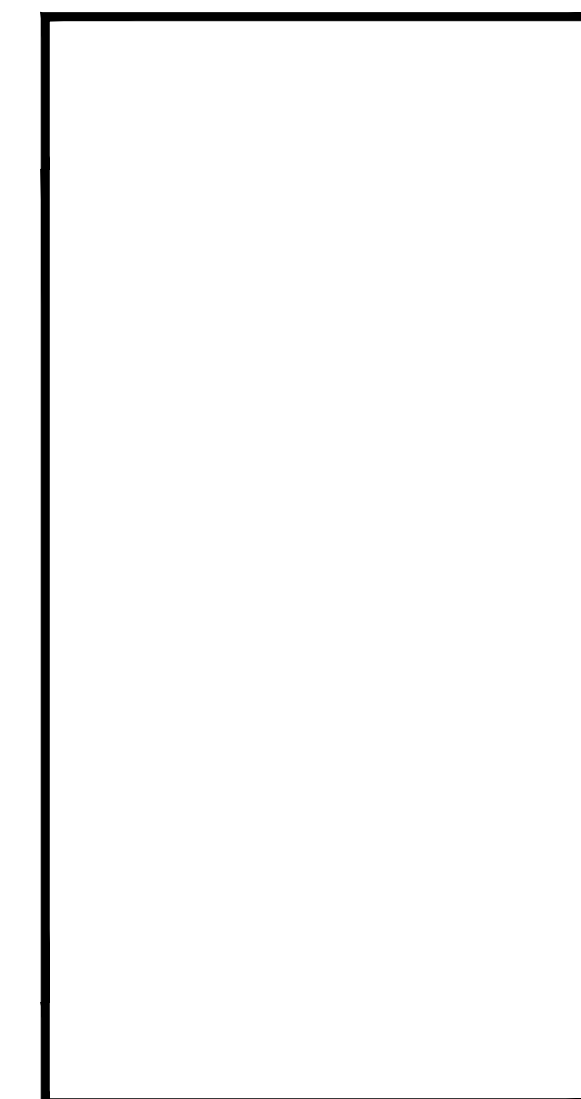
TYPE D: DIRECTIONAL/INFO. SIGNS



E.01 Information Sign Frame- Horizontal window
One line title to be engraved text

E.02 Information Sign Frame- Vertical Window
One line title to be engraved text

TYPE E: LARGE FORMAT SIGN HOLDERS (FOR 8 1/2" X 11" PAPER INSERTS)



PROJECT TITLE :

UMB STANDARDS
INTERIOR
SIGNAGE

| | |
|--------------------|---------------|
| UMB BUILDING NO. : | 0000 |
| UMB Project NO. : | 00-000 |
| A/E PROJECT NO. : | - |
| CAD FILE NO. : | 0000-0000-000 |
| DATE : | 04-01-2019 |

DRAWING TITLE :

SIGNAGE DETAILS

SIGNAGE
DRAWINGS

REVISIONS

| NO | DATE | ITEM |
|----|------|------|
| | | |
| | | |
| | | |
| | | |
| | | |
| | | |
| | | |
| | | |
| | | |
| | | |

FILENAME: J:\29. DC MASTER DOCUMENTS\UMB STANDARDS AND GUIDELINES\UMB STANDARDS\UMB SIGNAGE- CAD FILE.DWG LAST UPDATED ON: 8/7/2019